



OLYMPIC CYLINDER MOWERS

OPC 500 GOLF SERIES

<u>Mower</u>	<u>Model</u>		<u>Engine</u>	<u>Shaft Dia</u>	<u>Start Year</u>	<u>From Serial #</u>
419053	500 - Golf	OPC	Intek 60IC	19	Aug 2010	7353386
419085	500 - Golf	OPC	Intek 60IC	19	Jan 2011	7413291
419086	500 - Golf	OPC	Honda GX160	20	Jan 2011	7411242
419087	500 - Golf	OPC	Honda GC160	20	Sep 2010	
419103	500 - Golf	OPC	B&S 5.0 Hp	19	Nov 2013	7781799

MSV Handle Used On:
419053



Photo shows 419053

Upturned Handle Used On:
419085
419086
419087
419103



Photo shows 419085

Not Illustrated

031888	Decal, Caution S/N & dB 500	1
031891	Decal, Trans Cover 5/660	1
031894	Decal, G/Catcher 500	1
031900	Decal, Caution, Feet & Hands	1
031992	Owner Manual, Reel Mower	1
537967	Washer-Rear Axle (If required)	3
Honda Engine's require		
503630	Screw, S/T 10x.4	2
503950	Deflector-Honda Engine	1
Honda- Throttle Cable Routing Change TB129 (Released December 2012)		
503489	Screw, Set M5 x 16 Tap/C	1
550500	Cable- Clamp, Throttle Adaptor	1

731969

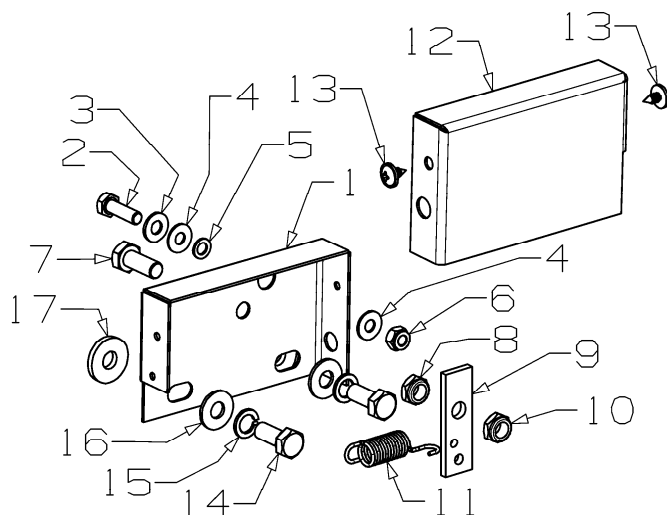
Catcher Assy, 500 Green



SPARES OPTION

732181 Slow Down Kit 1

OPC Safety Cut Out Assy



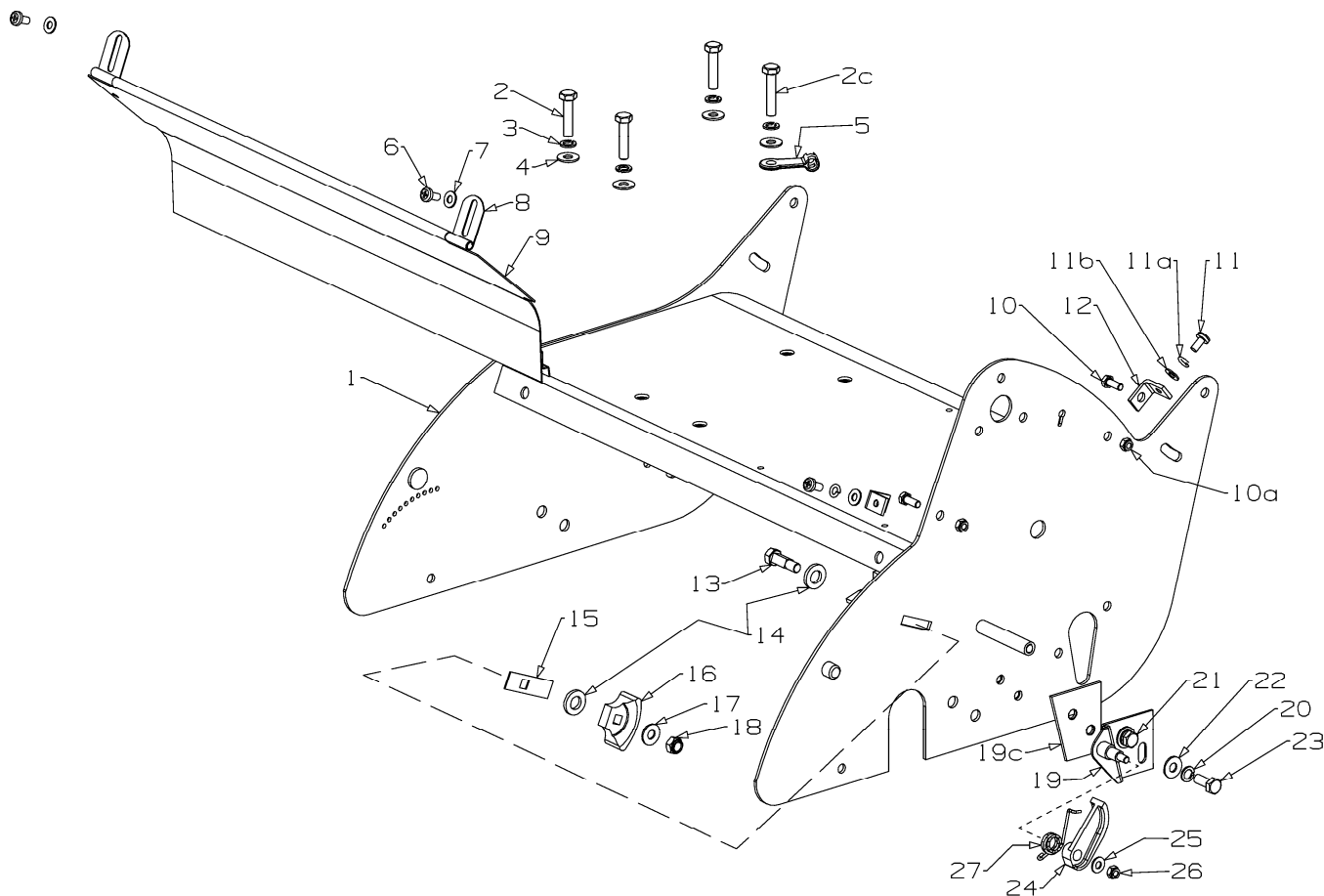
Item	Part No	Description	Qty
1	031880	Safety Switch Housing	1
2	501600	Screw, Set M6 x 20 Hex	1
3	501703	Washer, Flat M6 x 14 x 1.2	1
4	031884	Washer, Fibre M6 x 14 x 1	2
5	031883	Washer, Fibre M6 x 10 x 1	1
6	501764	Nut, M6 Nyloc x 6mm thick	1
7	501597	Screw, Set M8 x 20 Hex	1
8	503831	Nut, M8 Nyloc x 6mm thick	1
9	031885	Safety Switch Lever Arm	1
10	503831	Nut, M8 Nyloc x 6mm thick	1
11	031886	Spring	1
12	031881	Safety Switch Cover	1
13	580540	Screw, S/Tapping M5 x 10 POZ	2
14	501116	Screw, Set NF 5/16" x .75 Hex	1
15	503747	Washer, Spg 8	1
16	501606	Washer, Flat 8 x 19 x 1.6	1
17	503872	Washer, Flat 8 x 20 x 3.0	1

(Item 17 Washer used only on B&S Engines)

Not Illustrated

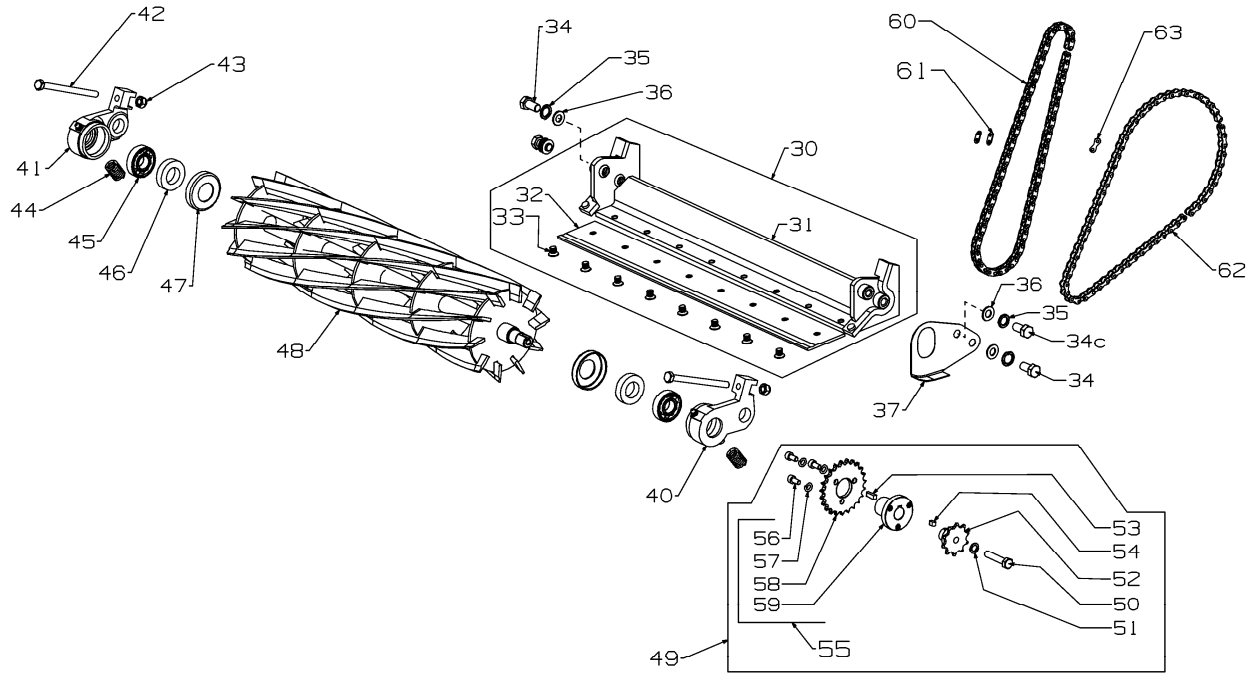
031906	Safety Switch Loom B&S	1
(Fit spade onto item 2 prior to assembly)		
031882	Safety Switch Loom Honda	1
(Fit spade onto item 2 prior to assembly)		

When ordering spares: PLEASE QUOTE PART NUMBER & Description, NOT illustrated number. Item Qty = 1 per part unless stated differently.
BOLD TEXT = Assemblies. Text starting with * = items included in the assemblies & may not be available as a spares item.
Determine the left hand or right hand sides by standing in the operating position (standing at the handle).



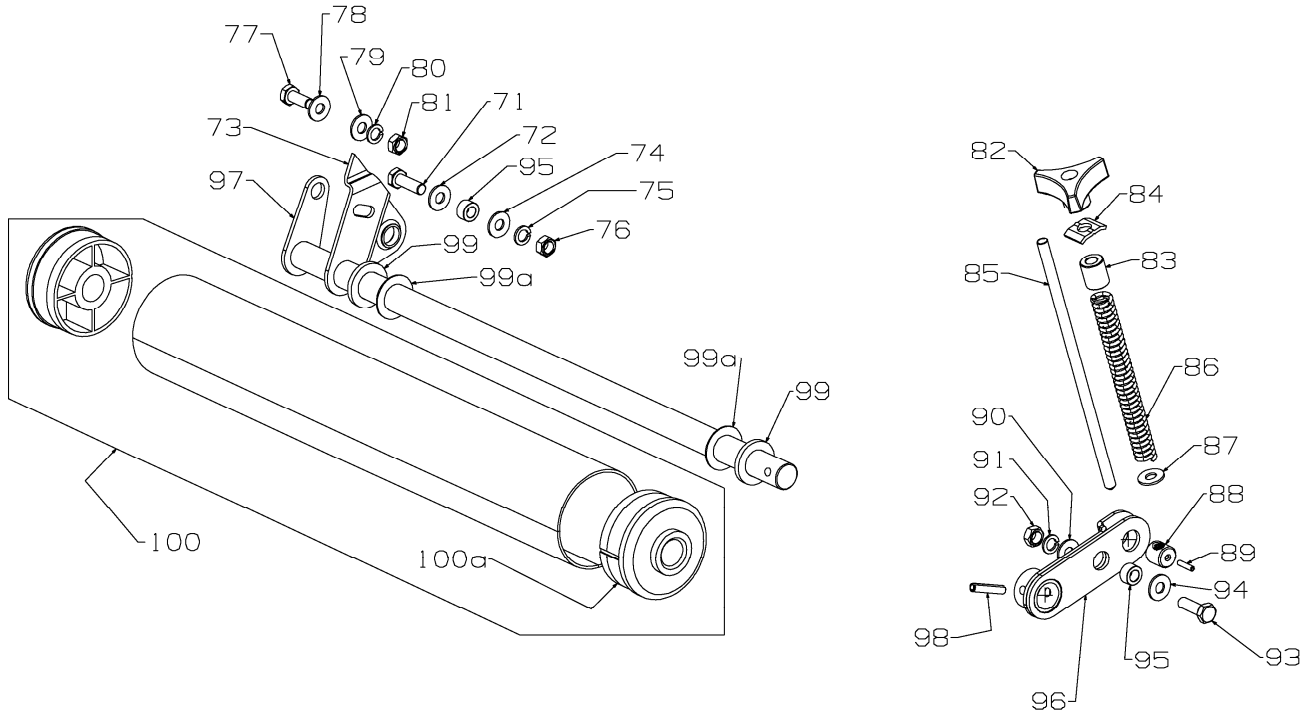
Item	Part No	Description	Qty	Item	Part No	Description	Qty
1	031590	Chassis Assy- 500 Green	1	15	002845	Sealplate- Chain Adjuster	1
2	501716	Set Screw, M8 x 35 Hex HT	3	16	002844	Adjuster- Chain, Fixed Nylon	1
2c	501843	Set Screw, M8 x 40 Hex	1	17	501606	Washer, Flat 8 x 19 x 1.6	1
3	503747	Washer, Spg 8	4	18	501793	Nut, M8 Hex Nyloc x 8mm thick	1
4	501606	Washer, Flat 8 x 19 x 1.6	4	19	004942	Plate Assy, Mounting	1
5	581527	Retainer, Clutch Cable	1	19c	032250	Plate- Spacer, Chain Align	1
6	503591	Screw, Pan M6 x 12	2	20	503747	Washer Spg 8	2
7	501703	Washer, Flat 6 x 14 x 1.2	2	21	501571	Set Screw, M8 x 16 Hex	1
8	002589	Bracket, Grass Chute	2	22	501606	Washer, Flat 8 x 19 x 1.6	2
9	008901	Deflector, Grass- 500	1	23	501571	Set Screw, M8 x 16 Hex	1
10	501702	Set Screw, M6 x 16 Hex	2	24	004963	Adjuster- Chain, Tension Nylon	1
10a	501764	Nut, M6 Hex Nyloc x 6mm thick	2	25	501703	Washer, Flat 6 x 14 x 1.2	1
11	503591	Screw, Pan M6 x 12	2	26	501764	Nut, M6 Hex Nyloc x 6mm thick	1
11a	500201	Washer, Spg 6	2	27	004945	Spring	1
11b	501703	Washer, Flat 6 x 14 x 1.2	2				
12	031915	Bracket- Chain Cover	2				
13	002848	Bolt- Adjuster, Chain	1				
14	006028	Washer, Flat 12 x 22 x 3.0	2				

When ordering spares: PLEASE QUOTE PART NUMBER & Description, NOT illustrated number. Item Qty = 1 per part unless stated differently.
BOLD TEXT = Assemblies. Text starting with * = items included in the assemblies & may not be available as a spares item.
 Determine the left hand or right hand sides by standing in the operating position (standing at the handle).



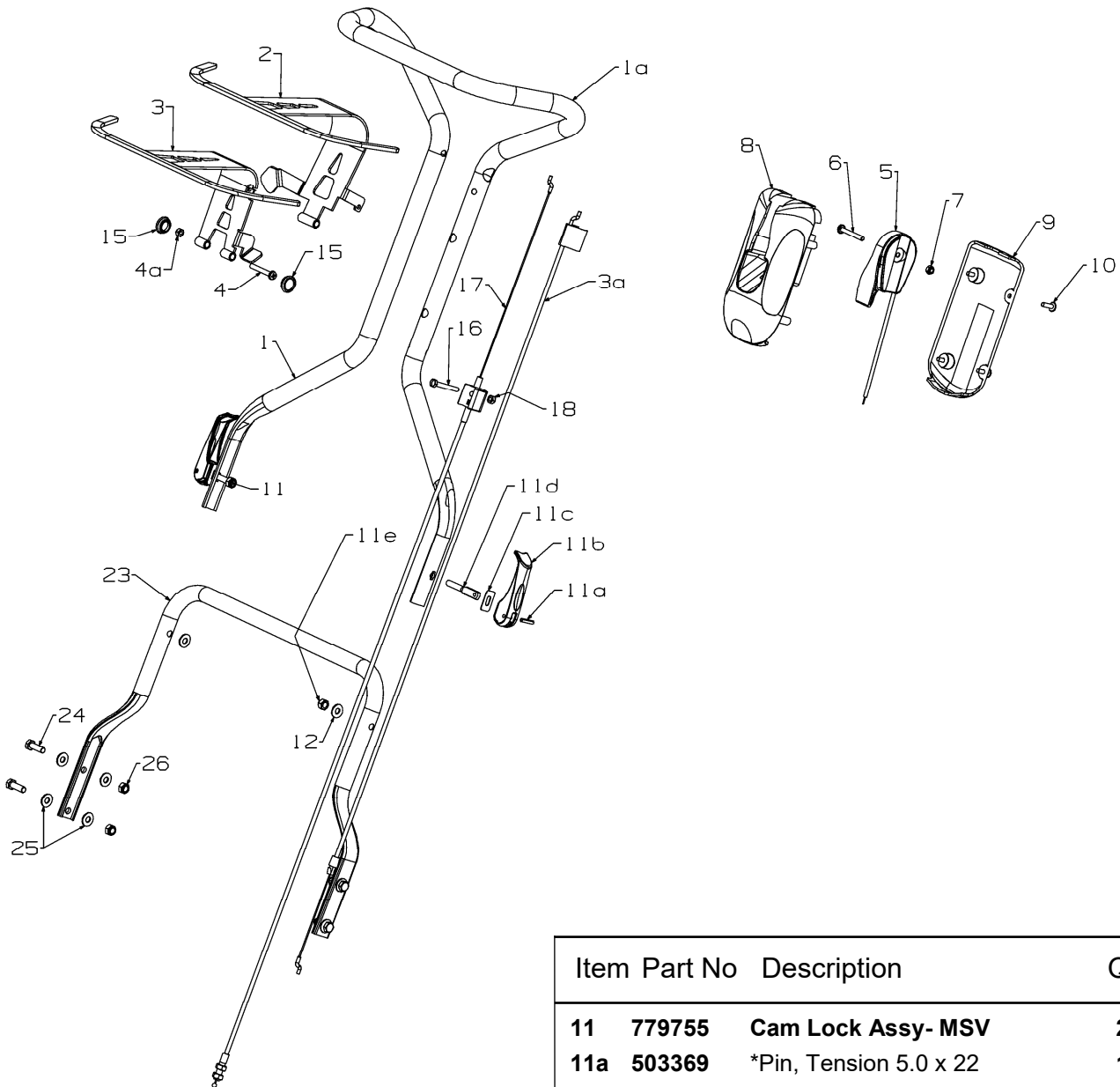
Item	Part No	Description	Qty	Item	Part No	Description	Qty
				55	*032045	Sprocket Assy - 23 Key (includes items 56,57,58A and 59)	1
30	032035	Back Plate Brkt, Blade Assy 500G 1 (includes items,31,32,33)		56	*502004	Screw, Cap M6 x 12	3
31	*009862	Bracket Assy Back plate 500	1	57	*500201	Washer, Spg 6	3
32	*032021	Blade, Baseplate 500	1	58	*032003	Sprocket 23T	1
33	*008611	Screw, CSK M8 x 10 Allen Head	8	59	*032001	Boss Sprocket Key	1
34	501760	Set Screw, M10 x 20 Hex	3	60	002835	Chain- 0.23xP 3/8", 75P	1
34c	501760	Set Screw, M10 x 20 Hex	1	61	*731972	Link- Chain 3/8"	1
35	503897	Washer, Spg 10	4	62	004299	Chain- 0.205x P 1/2", 59P	1
36	501704	Washer, Flt 10 x 19 x 1.6	4	63	*731971	Link- Chain 1/2"	1
37	002561	Plate- Seal, Chain case	1				
40	032023	Housing- Assy Bearing, LH	1				
41	032024	Housing- Assy Bearing, RH	1				
42	006282	Bolt, Set NF 5/16"x4" Hex	2				
43	007240	Nut, NF 5/16 Hex Nyloc Type "P"	2				
44	002581	Spring- Baseplate	2				
45	503273	Bearing, Ball 17x40x12 6203 2S	2				
46	002583	Seal- Felt	2				
47	005211	Cover- Dust, Cylinder Bearing	2				
48	032018	Cylinder Assy- Cut, Key, 500, Golf	1				
49	032006	Sprocket Assy-10/23 (includes items 50,51,52,53,54 and 55A)	1				
50	*301345	Set Screw, M8 x 45HT	1				
51	*503747	Washer Spg 8	1				
52	*032002	Sprocket 10T	1				
53	*032005	Key 5 x 5 x 16	1				
54	*032004	Key 5 x 5 x 10	1				

When ordering spares: PLEASE QUOTE PART NUMBER & Description, NOT illustrated number. Item Qty = 1 per part unless stated differently.
BOLD TEXT = Assemblies. Text starting with * = items included in the assemblies & may not be available as a spares item.
Determine the left hand or right hand sides by standing in the operating position (standing at the handle).



Item	Part No	Description	Qty	Item	Part No	Description	Qty
70	032026	Spindle & Brkt Assy Golf 500	1	87	*501606	Washer, Flat 8 x 19 x 1.6	1
71	501598	Set Screw, M8 x 25 Hex	1	88	*004990	Spindle, Trunnion	1
72	501606	Washer, Flat 8 x 19 x 1.6	1	89	*032087	Pin, Tension 3.0 x 16	1
73	*004983	Bracket- Front Roller, RH	1	90	*501606	Washer, Flat 8 x 19 x 1.6	1
74	501606	Washer, Flat 8 x 19 x 1.6	1	91	*503747	Washer, Spg 8	1
75	503747	Washer, Spg 8	1	92	*501602	Nut, M8 Hex	1
76	501602	Nut, M8 Hex	1	93	*501598	Set Screw, M8 x 25 Hex	1
77	*501597	Set Screw, M8 x 20 Hex	1	94	*501606	Washer, Flat 8 x 19 x 1.6	1
78	*501606	Washer, Flat 8 x 19 x 1.6	1	95	*004991	Bush- Pivot, Front Roller	2
79	*501606	Washer, Flat 8 x 19 x 1.6	1	96	*004984	Bracket Assy- Adj, Front Roller	1
80	*503747	Washer, Spg 8	1	97	*004977	Spindle Assy Front 500	1
81	*501602	Nut, M8 Hex	1	98	*007496	Pin, Tension 6.0 x 30	1
82	*574230	Knob- Plastic, M8 Insert	1	99	*501432	Washer, Flat 20 x 33 x 4.0	2
83	*031910	Spacer- Knob	1	99a	*537967	Washer, Flat 20 x 33 x 1.0	2
84	*004973	Plate Slipper	1	100	*032029	Roller Assy-Front, 500 Golf	1
85	*004988	Spindle- Adj, Front Roller	1	100a	**005478	Cap- End 72.3	2
86	*004691	Spring- Height Adjust	1				

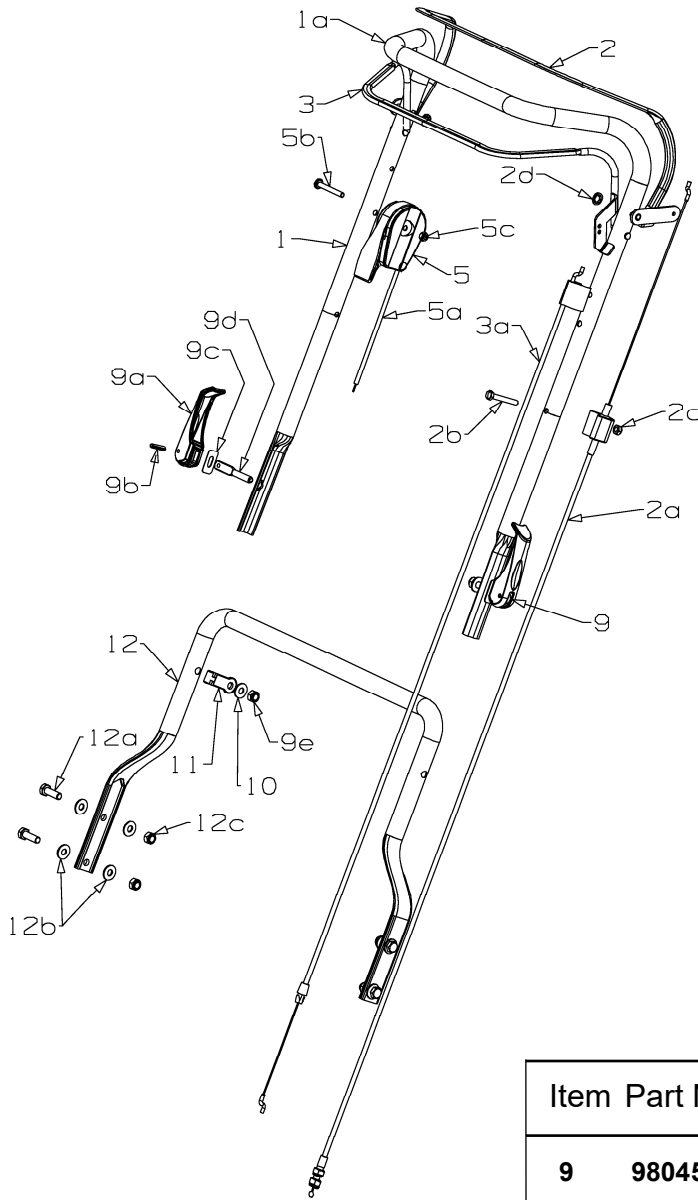
When ordering spares: PLEASE QUOTE PART NUMBER & Description, NOT illustrated number. Item Qty = 1 per part unless stated differently.
BOLD TEXT = Assemblies. Text starting with * = items included in the assemblies & may not be available as a spares item.
 Determine the left hand or right hand sides by standing in the operating position (standing at the handle).



Item	Part No	Description	Qty
11	779755	Cam Lock Assy- MSV	2
11a	503369	*Pin, Tension 5.0 x 22	1
11b	582419	*Lever Handle Locking	1
11c	016777	*Washer Slipper	1
11d	583041	*Stud Handle Lock 61mm	1
11e	501793	*Nut M8 Hex Nyloc x 8mm thick	1
12	501606	Washer, Flat 8 x 19 x 1.6	2
15	503882	Grommet Blanking 3/4"(19mm)	2
16	580160	Screw-Set, M6 x 50	1
17	031990	Cable-Clutch, Reel Mower	1
18	501764	Nut, M6 Hex Nyloc x 6mm thick	1
23	031849	Handle- Lower, 500	1
24	501597	Screw, Set M8 x 20	4
25	501606	Washer, Flat 8 x 19 x 1.6	8
26	501793	Nut, M8 Hex Nyloc x 8mm thick	4

Item	Part No	Description	Qty
1	731847	Handle & Sleeve R/MWR	1
2	979279	Bail Arm Assy, SP MSV Red	1
3	979278	Bail Arm Assy, OPC MSV Red	1
3a	581655	Cable- Engine OPC, 925mm	1
4	503883	Bolt Hex M8 x 100	1
4a	501793	Nut, M8 Hex Nyloc x 8mm thick	1
5	583458	Throttle Ctrl & Cable, Wescon	1
6	503604	*Screw, Pan M6 x 45	1
7	501764	*Nut, M6 Hex Nyloc x 6mm thick	1
8	983351	Mount Throttle, Top Plain MSV	1
	583442	*Mount Throttle, Top Plain	1
9	583340	Cover Throttle Bottom	1
10	503650	Screw; S/T #12 x 11/16"	4

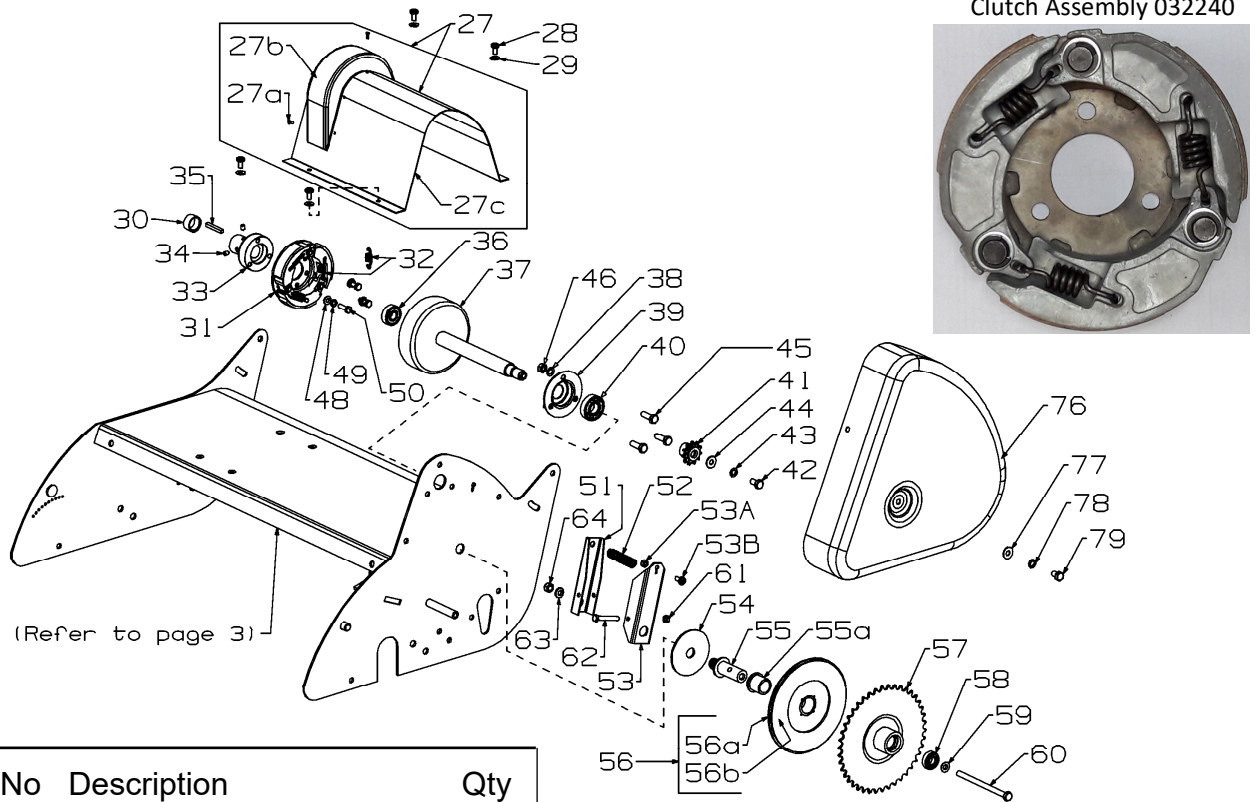
When ordering spares: PLEASE QUOTE PART NUMBER & Description, NOT illustrated number. Item Qty = 1 per part unless stated differently.
BOLD TEXT = Assemblies. Text starting with * = items included in the assemblies & may not be available as a spares item.
 Determine the left hand or right hand sides by standing in the operating position (standing at the handle).



Item	Part No	Description	Qty
9	980456	Cam Lock Assembly (1 per)	2
9a	580313	*Lever- Handle Locking	1
9b	503369	*Pin, Tension 5.0 x 22	1
9c	016777	*Washer- Slipper S/S	1
9d	580690	*Stud- Handle Lock, 64mm	1
9e	501793	*Nut, M8 Hex Nyloc 8mm thick	1
10	501606	Washer, Flat 8 x 19 x 1.6	2
11	581527	Retainer- Clutch Cable	1
12	031849	Handle- Lower, Reel Mower 500	1
12a	501597	Screw, Set M8 x 20 Hex	4
12b	501606	Washer, Flat 8 x 19 x 1.6	4
12c	501793	Nut, M8 Hex Nyloc x 8mm thick	4

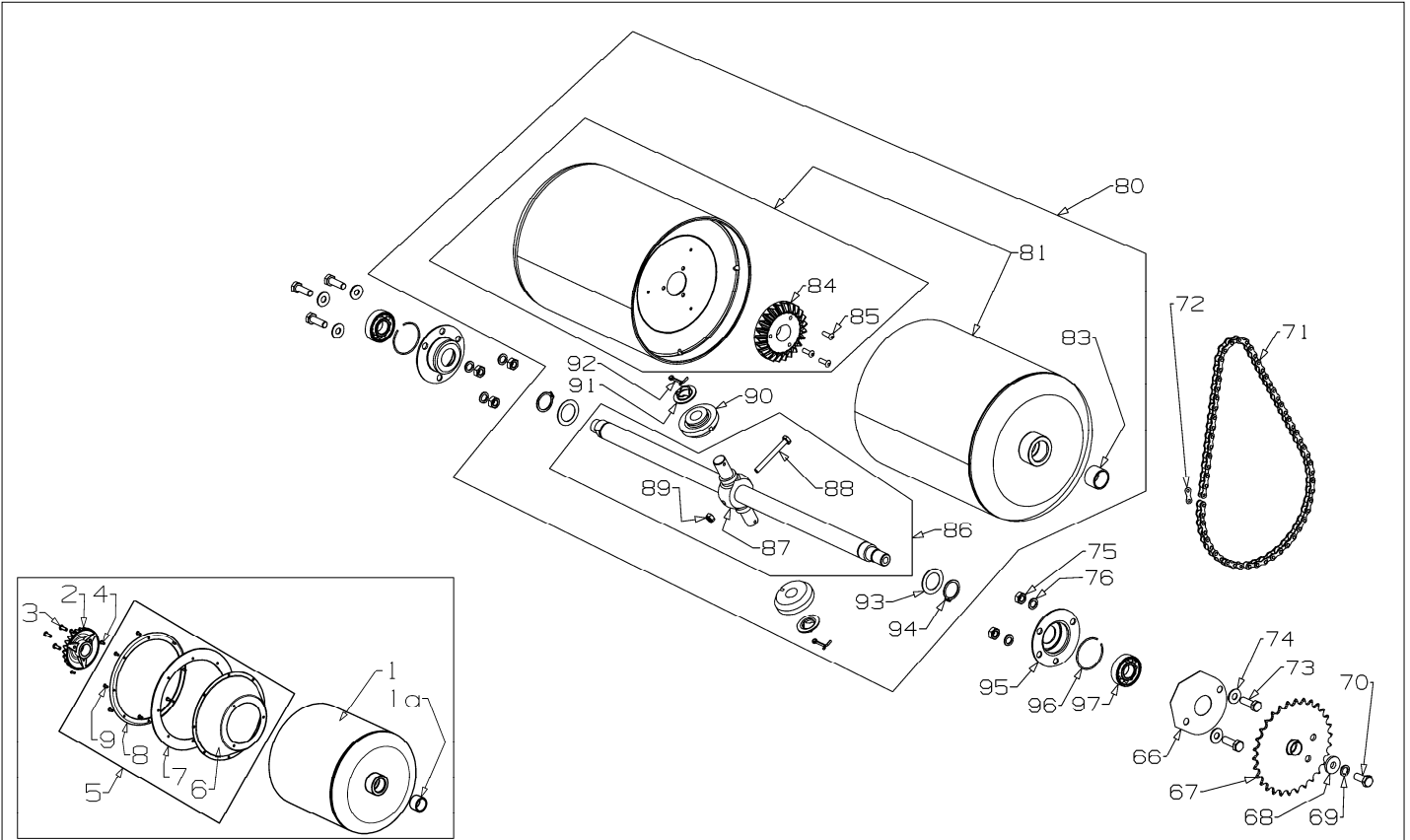
Item	Part No	Description	Qty
1/1a	773155	Handle- Upper, UPT OPC Short	1
2	982161	Bail Arm Assy, SP	Red 1
2a	031990	Cable- Clutch, Reel Mower	1
2b	503604	Screw, Pan M6 x 45	1
2c	501764	Nut, M6 Hex Nyloc x 6mm thick	1
2d	501365	Clip- Starlock, 5/16"	2
3	981740	Bail Arm Assy, OPC	Red 1
3a	031878	Cable- Engine, OPC	R/MWR 1
5/5a	583458	Throttle Ctrl & Cable Wescon	1
5b	503604	*Screw, Pan M6 x 45	1
5c	501764	*Nut, M6 Hex Nyloc x 6mm thick	1

When ordering spares: PLEASE QUOTE PART NUMBER & Description, NOT illustrated number. Item Qty = 1 per part unless stated differently.
BOLD TEXT = Assemblies. Text starting with * = items included in the assemblies & may not be available as a spares item.
Determine the left hand or right hand sides by standing in the operating position (standing at the handle).



Item	Part No	Description	Qty	Item	Part No	Description	Qty
27	731909	Cover- Trans,500/660 EU GRN	1	50	503223	Screw, Set M6 x 16 HT8.8	3
27a	503429	*Rivet Pop 3.2 x 4.8 73AS4-3	4	51	031831	Lever- Clutch	1
27b	031907	*Cover Trans Moulded	1	52	031845	Spring- Clutch	1
27c	031909	*Cover- Trans, 500/600 EU Green	1	53	031830	Lever Carrier- Clutch	1
28	503591	Screw, Set M6 x 12	4	53a	501764	Nut, M6 Hex Nyloc x 6mm thick	1
29	501703	Washer, Flat 6 x 14 x 1.2	4	53b	503591	Screw- Pan M6 x 12	1
30	031958	Spacer- Drive Shaft, 13mm	1	54	031843	Washer. Flat 16.5 x 75 x 3.0	1
31	032240	Clutch- Drive Assy V2	1	55	031840	Post- Clutch	1
32	*005634	Clutch Spring	3	55a	031833	Bush- Back Plate	1
33	032241	Boss- Clutch, 19 Dia (536012 Key)	1	56	031988	Sprocket-11T, Clutch Disk	1
33	032242	Boss- Clutch, 20 Dia (536178 Key)	1	56a	031986	*Sprocket- Clutch Plate Assy	1
34	501719	Screw, Grub M6 x 8	2	56b	031987	*Liner- Clutch Face Cork	1
35	536178	Key- Cutter 3/16" square x 24	1	57	031963	Sprocket- 42T, Plate & Boss Assy	1
35	536012	Key- Engine 3/16" square x 38	1	58	503901	Bearing, Ball 12x28x8 6001 2RSH	1
36	501213	Bearing, Ball 12x32x10 6201 2RS	1	59	031965	Washer- Centralizing Brass	1
37	032236	Drum Assy, Clutch 500/660	17	60	503938	Bolt, M8 x 120 Hex	1
38	503747	Washer, Spg 8	3	61	501764	Nut, M6 Hex Nyloc x 6mm thick	1
39	002834	Housing- Bearing	1	62	580160	Screw, Set M6 x 50 Hex	1
40	503273	Bearing-Ball 17x40x12 6203 2S	1	63	031842	Washer, Thrust	1
41	002818	Sprocket- 11T, Drive	1	64	501793	Nut, M8 Hex Nyloc x 8mm thick	1
42	501715	Screw, Set M8 x 15 x 1mm Pitch	1	76	031585	Cover - Chain Case, Green	1
43	503747	Washer, Spg 8	1	77	501606	Washer, Flat 8 x 19 x 1.6	1
44	501606	Washer, Flat 8 x 18 x 1.6	1	78	503747	Washer, Spg 8	1
45	501597	Screw, Set M8 x 20 Hex	3	79	501863	Screw Set, M8 x 12	1
46	501602	Nut, M8 Hex	3				
48	501703	Washer, Flat 6 x 14 x 1.2	3				
49	500201	Washer, Spg 6	3				

When ordering spares: PLEASE QUOTE PART NUMBER & Description, NOT illustrated number. Item Qty = 1 per part unless stated differently.
BOLD TEXT = Assemblies. Text starting with * = items included in the assemblies & may not be available as a spares item.
Determine the left hand or right hand sides by standing in the operating position (standing at the handle).



Item	Part No	Description	Qty	Item	Part No	Description	Qty
66	002618	Plate- Seal, Bearing	1	93	*002732	Washer-Flat, 22 x 40 x 2	2
67	002604	Sprocket & Boss Assy, Rear Roller	1	94	*007260	Circlip- 7/8" ext	2
68	503872	Washer, Flat 8 x 20 x 3.0	1	95	000409	Housing-Bearing	2
69	503747	Washer, Spg 8	1	96	004292	Ring- Bearing Housing	2
70	501717	Screw, Set M8 x 20 x 1mm Pitch	1	97	503273	Bearing-Ball 17x40x12 6203 2S	2
71	004929	Chain, 3/16" x 1/2, 40P	1	031919 Roller- Rear, Half LH 500 Black			
72	*731971	Link, Chain 1/2	1	1	002701	Roller- Rear, Half 500 Plain	1
73	501597	Screw, Set M8 x 20	5	1a	007616	Bush- Rear Roller	1
74	501606	Washer, Flat 8 x 19 x 1.6	5	2	002707	Gear- Bevel, 24T	1
75	501602	Nut, M8 Hex	5	3	503399	Rivet- Pop 4.8 x 12.7 73SS6-8	3
76	503747	Washer, Spg 8	5	4	503429	Rivet- Pop 3.2 x 4.8 73AS4-3	3
80	031918	Roller- Rear, Assemble (Black)	1	5	002714	Rear Roller Seal Assembly	1
81	*031955	Roller- Rear, Half (Painted)	2	6	004845	*Carrier- Seal, Rear Roller	1
83	*007616	*Bush- Rear Roller	1	7	004847	*Seal- Rear Roller	1
84	*002707	*Gear-Bevel, 24t	1	8	004846	*Ring- Support, Rear Roller	1
85	*503399	*Rivet-Pop, 4.8 x 13 73 SS 6-8	3	9	503429	*Rivet- Pop 3.2 x 4.8 73AS4-3	8
86	*008947	Spindle-Rear Roller 500	1				
87	*008943	*Carrier- Bevel Pinion	1				
88	*567292	*Bolt-Hex M6 x 55 HT 8.8	1				
89	*501764	*Nut, M6 Hex Nyloc x 6mm thick	1				
90	*002708	Pinion-Bevel, 14T	2				
91	*008944	Collar	2				
92	*007473	Split Pin, 3.0dia x 30	2				

When ordering spares: PLEASE QUOTE PART NUMBER & Description, NOT illustrated number. Item Qty = 1 per part unless stated differently.
BOLD TEXT = Assemblies. Text starting with * = items included in the assemblies & may not be available as a spares item.
 Determine the left hand or right hand sides by standing in the operating position (standing at the handle).